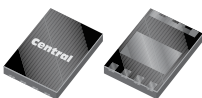


CDF56G6511N

**SURFACE MOUNT GaN
N-CHANNEL
POWER FET
11 AMP, 650 VOLT**



Top View Bottom View

DFN5X6A CASE



www.centrasemi.com

DESCRIPTION:

The CENTRAL SEMICONDUCTOR CDF56G6511N is a 650 Volt N-Channel GaN FET designed for high voltage, soft switching applications. This GaN FET combines high voltage capability with low $r_{DS(ON)}$ and low gate charge for optimal efficiency.

MARKING: C6511 5X6

APPLICATIONS:

- Switch-mode power supplies
- High power chargers
- Electric vehicle inverters

FEATURES:

- High voltage capability
- Low gate charge & $r_{DS(ON)}$
- Fast switching

MAXIMUM RATINGS: ($T_J=25^\circ\text{C}$ unless otherwise noted)

	SYMBOL		UNITS
Drain-Source Voltage	V_{DS}	650	V
Gate-Source Voltage	V_{GS}	-1.4 to +7.0	V
Continuous Drain Current ($T_C=25^\circ\text{C}$)	I_D	11.5	A
Pulsed Drain Current ($T_C=25^\circ\text{C}$)	I_{DM}	20.5	A
Power Dissipation ($T_C=25^\circ\text{C}$)	P_D	84	W
Operating and Storage Junction Temperature	T_J, T_{stg}	-55 to +150	$^\circ\text{C}$

ELECTRICAL CHARACTERISTICS: ($T_J=25^\circ\text{C}$ unless otherwise noted)

SYMBOL	TEST CONDITIONS	MIN	TYP	MAX	UNITS
I_{GSSF}, I_{GSSR}	$V_{GS}=6.0\text{V}, V_{DS}=0$		60		μA
I_{DSS}	$V_{DS}=650\text{V}, V_{GS}=0$		0.45	20	μA
BV_{DSS}	$V_{GS}=0, I_D=250\mu\text{A}$	650			V
$V_{GS(th)}$	$V_{GS}=V_{DS}, I_D=12.2\text{mA}$	1.2	1.7	2.5	V
V_{SD}	$V_{GS}=0, I_S=3.9\text{A}$		2.6		V
$r_{DS(ON)}$	$V_{GS}=6.0\text{V}, I_D=3.9\text{A}$		138	190	$\text{m}\Omega$
C_{iss}	$V_{DS}=400\text{V}, V_{GS}=0, f=100\text{kHz}$		96		pF
C_{oss}	$V_{DS}=400\text{V}, V_{GS}=0, f=100\text{kHz}$		30		pF
C_{rss}	$V_{DS}=400\text{V}, V_{GS}=0, f=100\text{kHz}$		0.5		pF
$C_{oss(er)}$	$V_{DS}=0$ to 400V, $V_{GS}=0$		43		pF
$C_{oss(tr)}$	$V_{DS}=0$ to 400V, $V_{GS}=0$		60		pF
$Q_g(\text{tot})$	$V_{DS}=400\text{V}, V_{GS}=0$ to 6.0V, $I_D=3.9\text{A}$		2.8		nC
Q_{gd}	$V_{DS}=400\text{V}, V_{GS}=0$ to 6.0V, $I_D=3.9\text{A}$		1.1		nC
Q_{gs}	$V_{DS}=400\text{V}, V_{GS}=0$ to 6.0V, $I_D=3.9\text{A}$		0.25		nC

CDF56G6511N

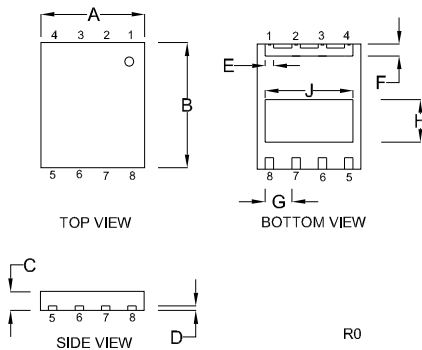
**SURFACE MOUNT GaN
N-CHANNEL
POWER FET
11 AMP, 650 VOLT**



ELECTRICAL CHARACTERISTICS - Continued: ($T_J=25^\circ\text{C}$ unless otherwise noted)

SYMBOL	TEST CONDITIONS	TYP	UNITS
$t_{d(on)}$	$V_{DS}=400\text{V}$, $V_{GS}=6.0\text{V}$, $I_D=8.0\text{A}$ $R_{G(on)}=10\Omega$, $L=318\mu\text{H}$	1.4	ns
$t_{d(off)}$	$V_{DS}=400\text{V}$, $V_{GS}=6.0\text{V}$, $I_D=8.0\text{A}$ $R_{G(on)}=10\Omega$, $L=318\mu\text{H}$	1.7	ns
t_r	$V_{DS}=400\text{V}$, $V_{GS}=6.0\text{V}$, $I_D=8.0\text{A}$ $R_{G(on)}=10\Omega$, $L=318\mu\text{H}$	4.0	ns
t_f	$V_{DS}=400\text{V}$, $V_{GS}=6.0\text{V}$, $I_D=8.0\text{A}$ $R_{G(on)}=10\Omega$, $L=318\mu\text{H}$	4.0	ns

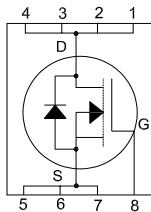
DFN5X6A CASE - MECHANICAL OUTLINE



SYMBOL	DIMENSIONS			
	INCHES		MILLIMETERS	
	MIN	MAX	MIN	MAX
A	0.197		5.00	
B	0.236		6.00	
C	0.031	0.039	0.80	1.00
D	0.008		0.20	
E	0.012	0.020	0.30	0.50
F	0.018	0.030	0.45	0.75
G	0.050		1.27	
H	0.077	0.085	1.95	2.15
J	0.164	0.175	4.16	4.45

DFN5X6A (REV: R0)

PIN CONFIGURATION



LEAD CODE:

- 1) Drain 5) Source
- 2) Drain 6) Source
- 3) Drain 7) Kelvin Source
- 4) Drain 8) Gate

Pins 5, 6, 7 are common to the pad

MARKING: C6511 5X6